

# Stainless Steel Airseeder Parts for JD 1900 / 1910



Meter Housing		
KP100JD	\$	5,405.00
Meter housing assy (SSAA67290)		
CRK100S	\$	8,664.00
Complete Single Shoot Rebuild kit for 1 Tank		
CRK100D	\$	8,921.00
Complete Double Shoot Rebuild kit for 1 Tank		

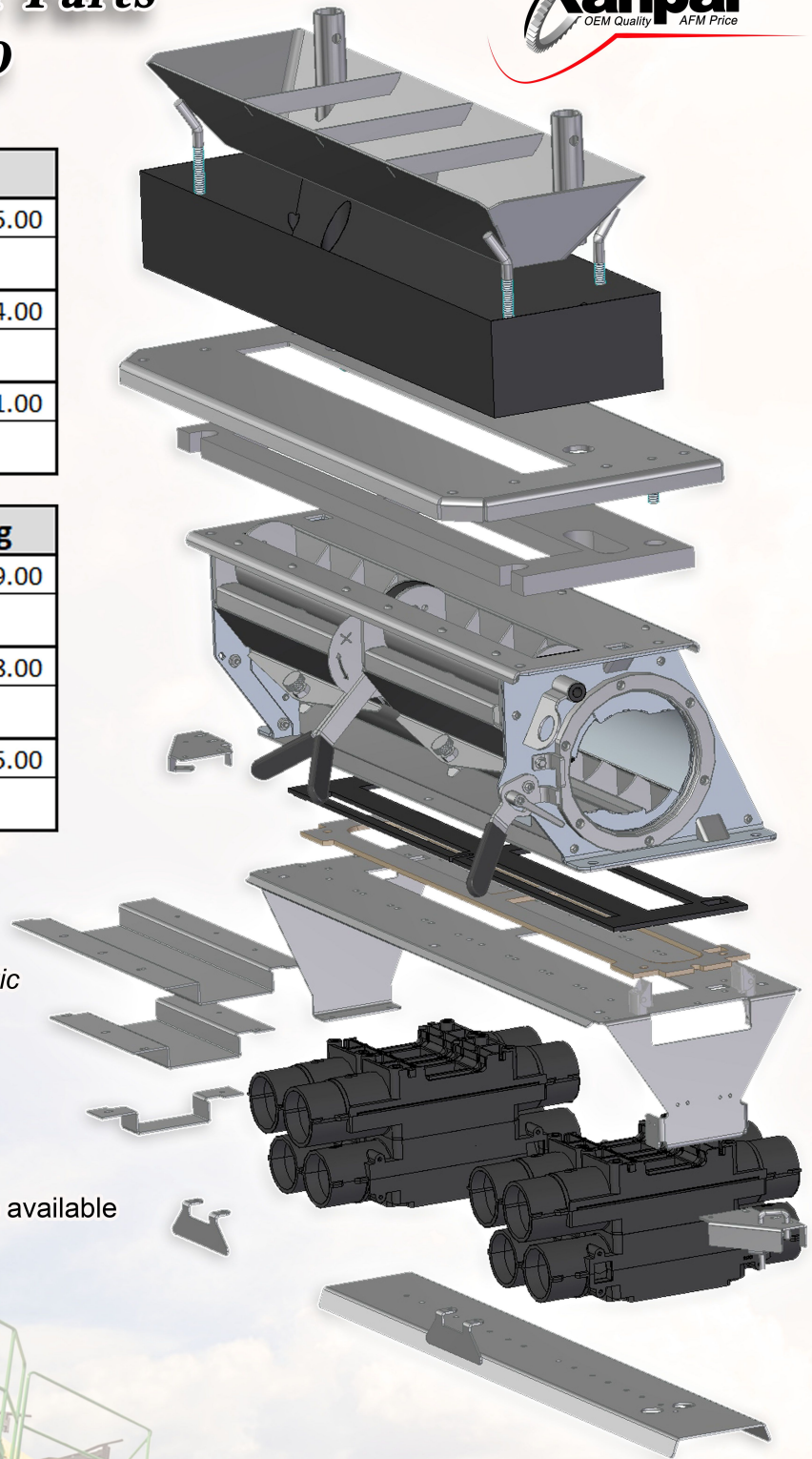
Section Command Meter Housing		
KP300JD	\$	6,079.00
Meter housing assy (SSAA86231)		
CRK300S	\$	9,338.00
Complete Single Shoot Rebuild kit for 1 Tank		
CRK300D	\$	9,595.00
Complete Double Shoot Rebuild kit for 1 Tank		

\*Price shown in Canadian Dollar

**Rebuild kit:** Includes replacements for all steel parts, seals and hardware below the ladder for one tank (It does not include the plastic manifolds, agitators, meter roll and drive).

**Note:** If your air seeder is configured with 3, 5 or 7 runs you'll need to order a manifold cover/plate to suit your configuration.

Other Stainless steel accessories and pipes are available (please contact us for pricing)



\*Double shoot shown



**FREE SHIPPING ON ORDERS OVER \$5000  
ACROSS THE CANADIAN PRAIRIE PROVINCES**

Distributed by:



+1 (204) 362-4303  
www.allagparts.com